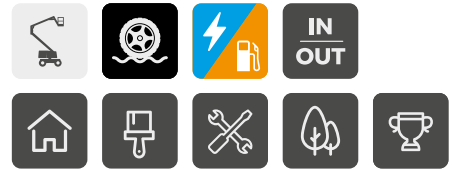


## 45 XA/55 XA



### ACCESS LIKE NEVER BEFORE

- > Hydraulic outriggers and automatic leveling allow operation in under 30 seconds
- > High performance 4WD and light weight provide access to places larger and heavier machines cannot go
- > Easily transported on a trailer with no commercial driver's license requirement
- > Dual power source (DC / Gas) allows for indoor/outdoor use

### OPTIMUM PERFORMANCE

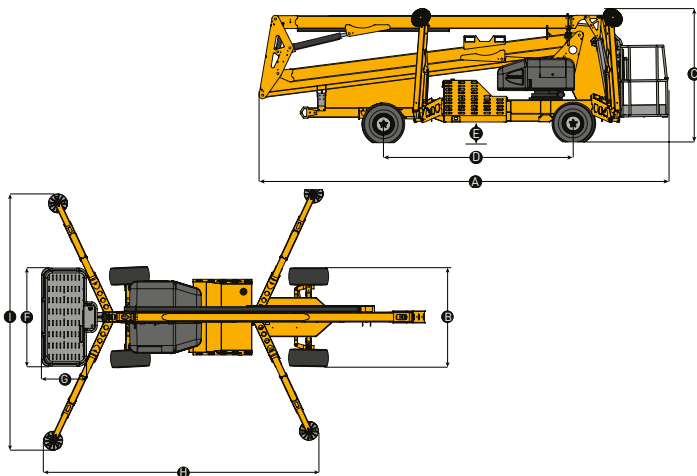
- > 4,000 Watt generator
- > Air /water lines to platform
- > 110V GFI protected power to the platform

# 45 XA/55 XA

## LIGHT-WEIGHT SELF-PROPELLED BOOMS

### TECHNICAL DATA

	45 XA	55 XA
Working height	51 ft	61 ft 3 in
Platform height	45 ft	55 ft 3 in
Horizontal outreach (from centerline)	27 ft	33 ft 5 in
Horizontal outreach (from edge of footpad)	21 ft	27 ft 4 in
Up and over height	20 ft 9 in	23 ft 1 in
Lift capacity	500 lb	
<b>A</b> Length - stowed	18 ft 2 in	21 ft 2 in
<b>B</b> Width stowed	5 ft 6 in	5 ft 8 in
<b>C</b> Height stowed	6 ft 7 in	6 ft 9 in
<b>D</b> Wheelbase	8 ft 9 in	10 ft 1 in
<b>E</b> Ground clearance	6 in	10 in
<b>F</b> x <b>G</b> Platform size	5 ft x 2 ft 6 in	
<b>H</b> x <b>L</b> Outrigger footprint	12ft 4in x 11ft 4in	13ft 11in x 12ft 9in
Turntable rotation	350° non-continuous	
Jib - length	4 ft 3 in	
Jib - Vertical Motion	150° (+70° / -80°)	
Drive speed	4.75 mph (max)	
Gradeability	45%	
Turning radius - inside (2WS)	5 ft 4 in	11 ft 4 in
Turning radius - inside (4WS)	10 ft	6 ft 8 in
Tire size	26 x 12 Bar lug	
Batteries	4 x 6V 260 Amp-hr	
Engine	31 hp gas Kubota	
Weight	5,200 lb	6,000 lb



### STANDARD EQUIPMENT

- > Hydraulic outriggers
- > Automatic leveling system (leveling capability 12.5°)
- > Self-leveling platform
- > Air and water lines to platform
- > 110V GFI protected outlet to platform and base
- > 4,000 W generator
- > Hour meter
- > Battery condition indicator
- > Dual power system
- > Easy to use controls with logically positioned buttons
- > Tilt alarm / sensor
- > Spring applied hydraulic released brakes
- > Inboard 25 amp charger
- > Bar lug tires
- > 4 wheel steering (standard on 55XA)

### OPTIONS AND ACCESSORIES

- > Platform rotator (manual)
- > Flashing beacon
- > Fluorescent tube caddy
- > Tool tray
- > Turf tires
- > Dual fuel - 32.5 Hp gas / liquid propane Kubota

